

KCV10-21

反向型单向阀

说明 DESCRIPTION

A cartridge-style poppet-type check valve

反向锥阀式螺纹插装单向阀

工作 OPERATION

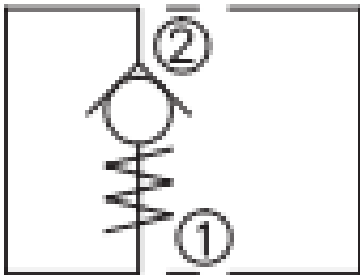
When pressure at ② rises above the spring bias pressure, the poppet is pushed from its seat and flow allowed from ② to ① .

The valve is closed (checked) from ① to ②.

当在②口的压力超过开启压力，②到①开启；

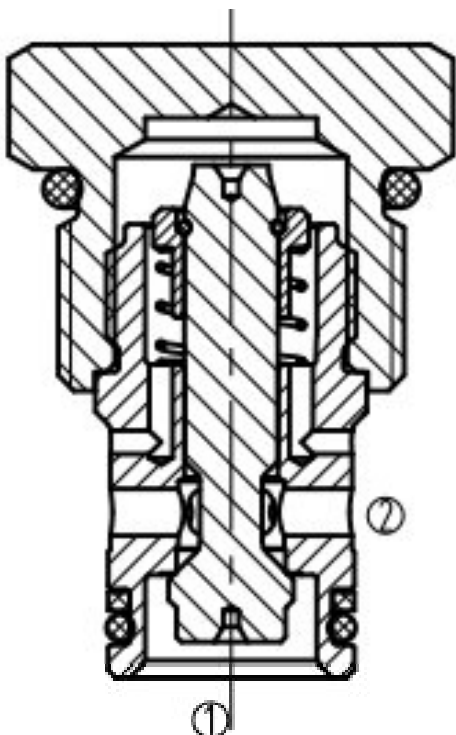
反方向，①到②关闭。

符号 SYMBOL

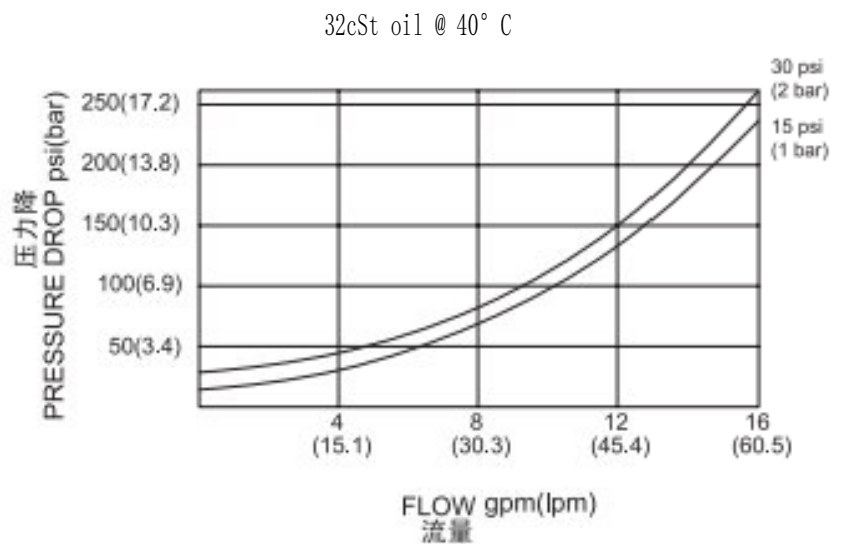


技术参数 SPECIFICATIONS

工作压力 (Operating pressure):	350Bar
流量 (Flow):	60L/min
内部泄漏 (Internal leakage):	2 drops/min(滴/分). max. at 250bar
开启压力 (Crack Pressures):	0.3=0.3bar 1=1bar 2=2bar 3=3bar
温度 (Temperature):	-20° C to +90° C
过滤 (Filtration):	参考过滤要求 (Reference filter requirements)
油液 (Fluids):	Mineral-based fluids with viscosities of 7.4 to 420 cSt. (矿物油粘度)
插孔 (Cavity):	VC10-2



压力-流量曲线 PRESSURE DROP VS. FLOW



订货代号 TO ORDER

KCV10-21-0.3

1

2

1 公司代码
Company code

2 开启压力 (Cracking pressure)
0.3=0.3bar
1=1bar
2=2bar
3=3bar

安装尺寸 INSTALLATION DIMENSIONS

