

# KFR08-20F

流量控制阀， 压力补偿型，（固定节流孔）

## 说明 DESCRIPTION

A cartridge-style non-adjustable pressure-compensated flow control valve

压力补偿型，插装式流量阀

## 工作 OPERATION

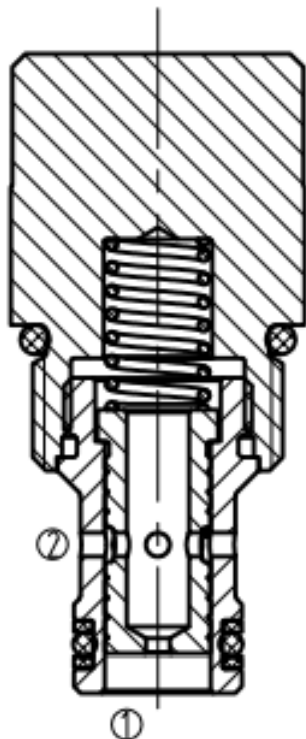
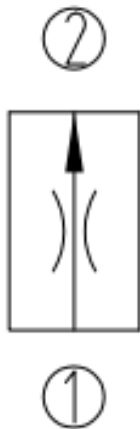
The valve maintains a constant flow rate out of ② regardless of load pressure changes in the circuit downstream of ②. The fixed control orifice is factory preset to customer flow specification.

The valve begins to respond to load changes when the flow through the valve creates a pressure differential across the control orifice greater than 5.5 bar, with accurate flow maintenance from 7.6 to 240 bar. Reverse flow (② to ①) returns through the control orifice and is non-compensated.

不管在②口的负载如何变化，②口的流量都能保持在一定的范围内。固定节流孔大小根据客户流量要求而定。

当油液从①到②流动引起压差大于 5.5bar 时，补偿器开始响应负载变化，压力差在 7.6bar-250bar 范围内，通过补偿，可维持精确的流量。油液从②到①反方向流动，没有压力补偿。

## 符号 SYMBOL

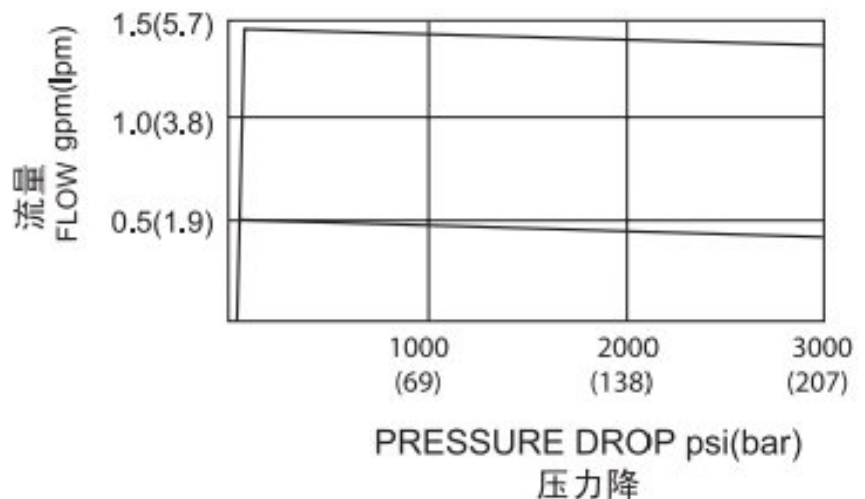


## 技术参数 SPECIFICATIONS

工作压力 (Operating pressure):	250bar
流量 (Flow):	5L/min.
补偿压力 (Compensating pressure):	5.5bar (88psi)
温度 (Temperature):	-40° C to +120° C
过滤 (Filtration):	参考过滤要求 (Reference filter requirements)
油液 (Fluids):	Mineral-based fluids with viscosities of 7.4 to 420 cSt. (矿物油粘度)
插孔 (Cavity):	VC08-2

## 压力-流量曲线 PRESSURE DROP VS. FLOW

流量维持特点 ①至③  
32cSt oil @ 40° C



订货代号 TO ORDER

KFR08-20F-0-N-\*\*



1 公司代码  
Company code

2 0  
0= 只订插件  
0=Order plug-ins only

3 密封件 Sealing ring  
N 丁氰橡胶 (标准型)  
BUNA N (Std.)  
V 氟橡胶 Fluorocarbom

4 流量设定 Flow Setting  
(Setting in lpm)  
Range:0.4-7.5lpm  
Specify, for example:  
M2.0 2.0lpm  
M5.0 5.0lpm  
etc.  
(Setting in gpm)  
Range:0.1-0.2gpm  
Specify, for example:  
1.0 1.0gpm  
2.0 2.0gpm  
etc.

安装尺寸 INSTALLATION DIMENSIONS

