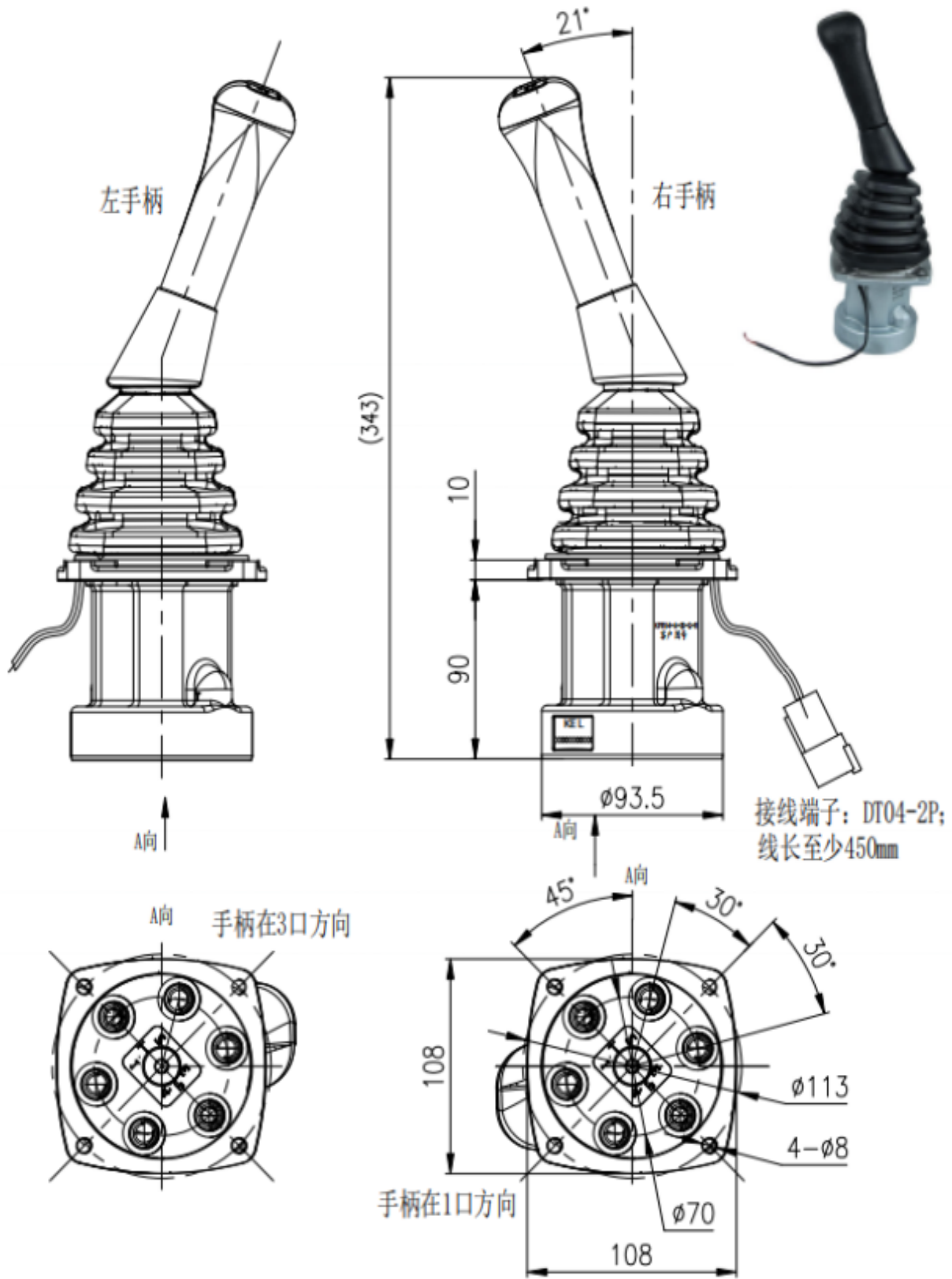


A型先导手柄

/ Dimension





先导阀

手先导阀

A型先导手柄

技术参数

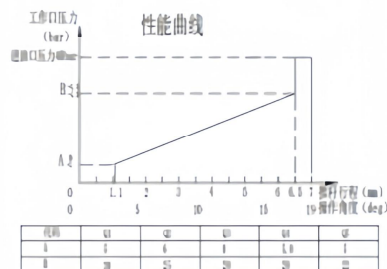
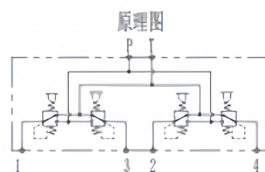
进口压力 (bar)	额定 35, Max60
T口背压 (bar)	Max3
流量 (L/min)	Max25
液压油	满足DIN51524的矿物油 (HL, HLP)
适用于丁腈橡胶密封	磷酸酯
适用于氟橡胶密封	
液压油温范围 (°C)	-20 ~ +80
粘度范围 (mm ² /s)	10 ~ 380
油液污染度	最高允许为NAS1638的九级。因此，我们推荐过滤器的最小过滤比为 $\beta_{10} \geq 75$
手柄最大允许操纵力矩 (N·m)	10 当工作时,80 特殊情况,一次性要求

TECHNICAL DATA

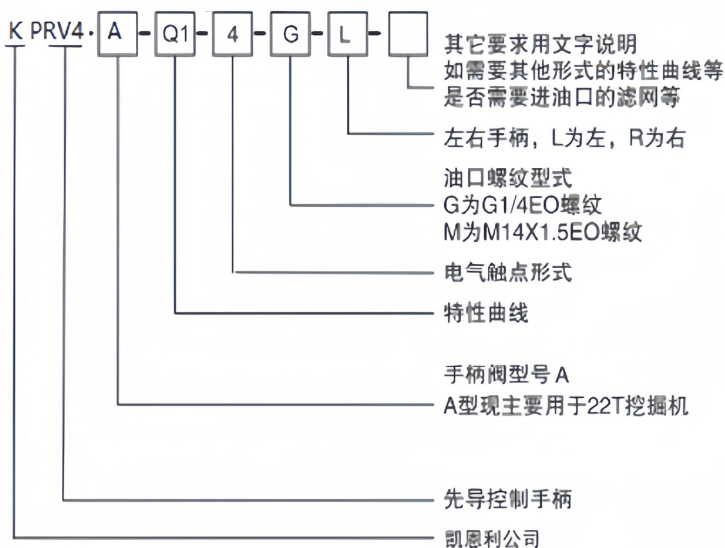
Inportpressure(bar)	Rate35 Max:60
Tportbackpressure(bar)	Max:3
Flow	Max:25
Hydraulicoil	MeetwithDIN51524 mineraloil(HL,HLP)
UseforNBRseal	Phosphate
UseforFPMseal	
HydrauliccoilTemperature(°C)	-20 ~ +80
Oilviscosityrange	10 ~ 380
Fluidcontamination	Max:the9gradeofNAS1638
Handle maxoperatortorque(N·m)	Recommend:filterin $\beta_{10} \geq 75$ Working:10

性能曲线/Performance Curves

额定压力35bar/Rated pressure 35bar



订货型号 OrderCode



Other requirements to be described by words. For example, other forms of characteristic curve, inlet filter, etc.

Handle Pilot Valve
L-left handle pilot valve,
R-Right handle pilot valve

Oil Port Thread Form
G-G1/4EO Thread
M-M14X1.5EO Thread

Electrical Contacts Form
Performance Curves

Handle Pilot Valve Code A
A used in 22T excavator

Handle Pilot Control Valve