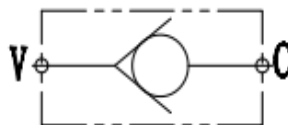


### 图形符号/SYMBOL:



### 技术参数/TECHNICAL DATA:

应用材料/MATERIAL                      适用工作环境/OPERATIONAL

阀体/BODY: 钢                              安装/MOUNTING

阀芯/VALVES: 硬质钢/Hardened

温度/TEMPERATURES                      按需/as preferred

理想工作温度: +40°C~+70°C

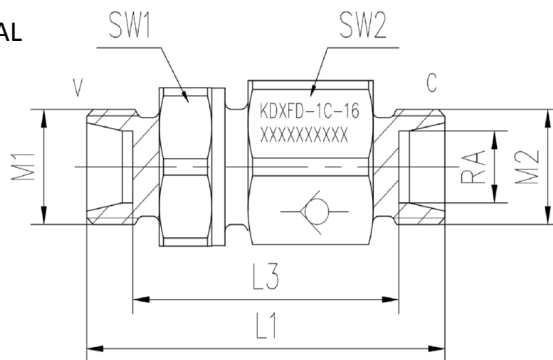
Ideal operating range between +40°C and +70°C

最低/最高环境温度: -20°C~+60°C

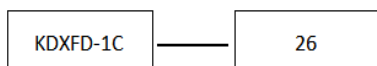
Min/Max environment temps -20°C~and

最高工作温度: 90°C/Max operating

### 外形尺寸/OVER DIMENSION:



### 型号说明/MODEL CODE:



- ①单向阀系列代号/check valve series code :KDXFD-1C型/KDXFD-1C type
- ②连接螺纹尺寸/connect thread

### 应用

压力作用下使得流体从V流向C，而液体从C向V流动时则被反向密封，油液无法通过。/Under pressure the fluid flow from V to C, and the flow from C to V are blocked in the reverse

型号	压力(bar)	管径 (RA)	L1	L3	SW1	SW2	M1	M2
KDXFD1C-16	400	10	54.5	40.5	22	24	M18X1.5	M18X1.5
KDXFD1C-18	400	12	58.5	44.5	27	30	M18X1.5	M18X1.5
KDXFD1C-22	350	15	62	48	27	32	M22X1.5	M22X1.5
KDXFD1C-26	400	18	66.5	51.5	36	41	M26X1.5	M26X1.5
KDXFD1C-30	315	22.2	75	54.5	41	41	M30X2	M30X2