

# KSF16-28

二位二通电磁阀 双向止回型

## 说明 DESCRIPTION

A solenoid operated, 2-way, 2-position, normally closed, poppet-type bi-directional cartridge valve.

二位，二通，常闭型座阀式电磁阀

## 工作 OPERATION

When de-energized, the valve blocks flow in both directions. When energized, the poppet shifts to allow flow in either direction.

失电时，此阀截止油液双向流动；

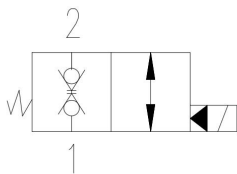
得电时，②到①，①到②互通。

### 手控应急 Operation of Manual Override Option

To override, push button in, twist counterclockwise 180° and release. In this position, the valve will remain open in a detented condition. To return to normal operation, push button in, twist clockwise 180° and release. Override will be detented in this position.

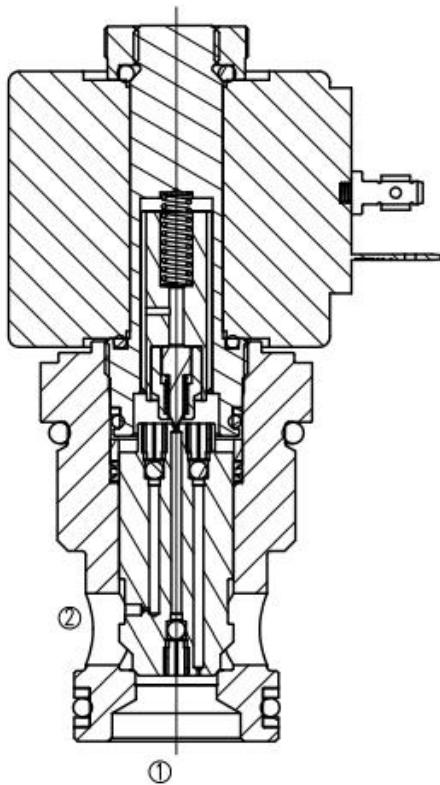
请按下按钮，再逆时针方向旋转 180°，后松开，②到①，①到②互通；请按下按钮，再顺时针方向旋转 180°，后松开，返回常态。

## 符号 SYMBOL

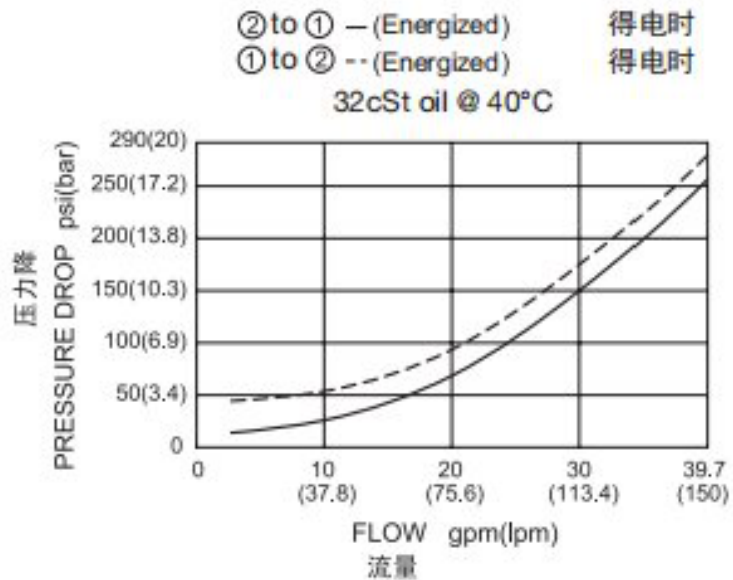


## 技术参数 SPECIFICATIONS

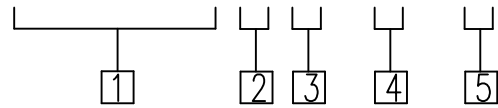
最大工作压力 (Maximum working pressure):	350Bar
最大流量 (Maximum flow):	150L/min
内部泄漏 (Internal leakage):	5 drops/min (滴/分). max. at 350bar
温度 (Temperature):	-40° C to +100° C
过滤 (Filtration):	参考过滤要求 (Reference filter requirements)
油液 (Fluids):	Mineral-based fluids with viscosities of 7.4 to 420 cSt. (矿物油粘度)
插孔 (Cavity):	VC16-2



## 压力-流量曲线 PRESSURE DROP VS. FLOW



KSF16-28-0-N -\*\* -\*\*



- |   |   |
|---|---|
| <p>1 公司代码<br/>Company code</p> <hr/> <p>2 0<br/>0= 只订插件<br/>0=Order plug-ins only</p> <hr/> <p>3 密封件 Sealing ring<br/>N 丁腈橡胶 (标准型)<br/>BUNA N (Std.)<br/>V 氟橡胶 Fluorocarbom</p> | <p>4 12DC =12<br/>24DC =24</p> <hr/> <p>5 coli DIN 43650 =DG<br/>coli DT 04-2P =ER<br/>两根导线 =DL</p> |
|---|---|

安装尺寸 INSTALLATION DIMENSIONS

